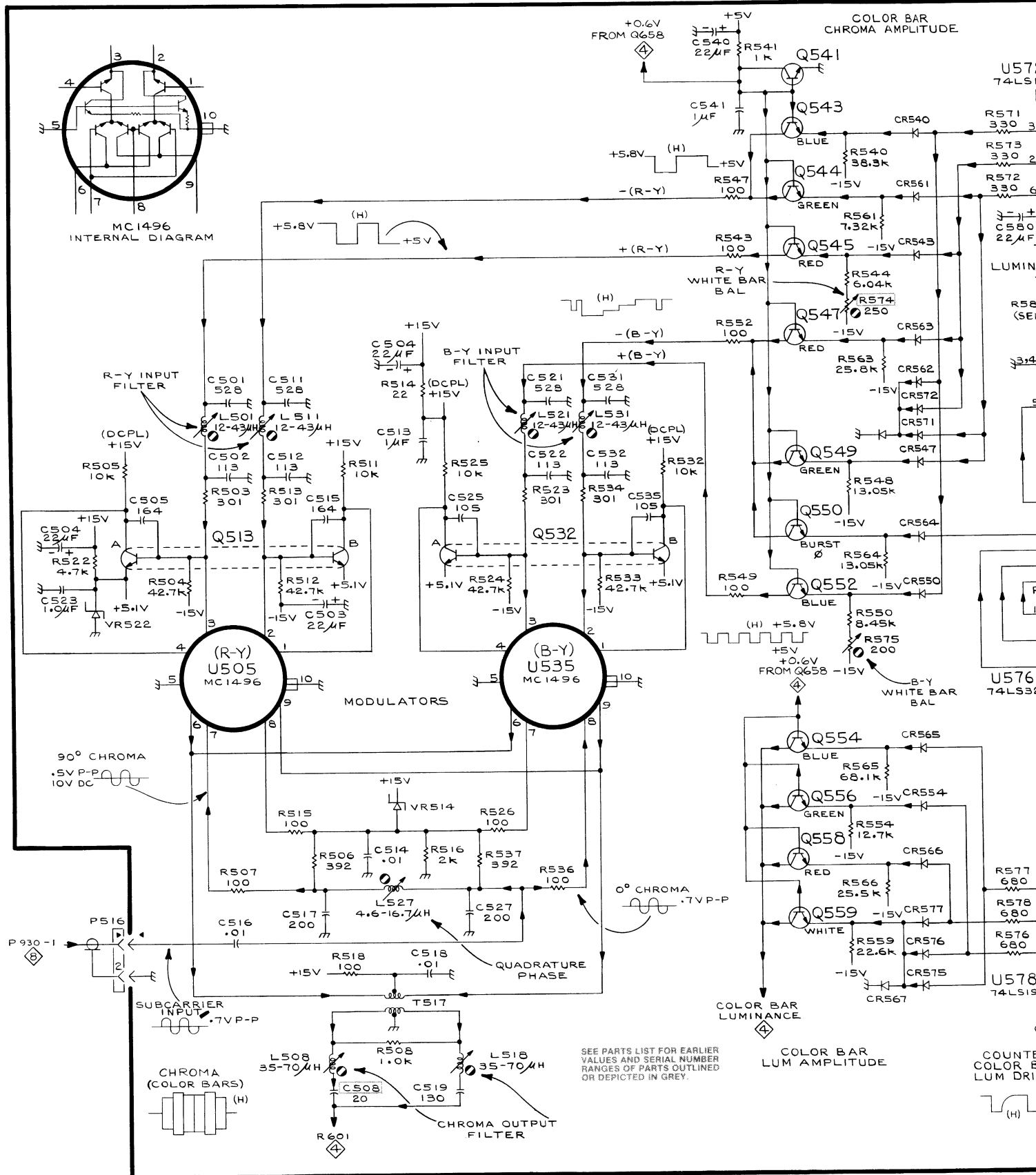
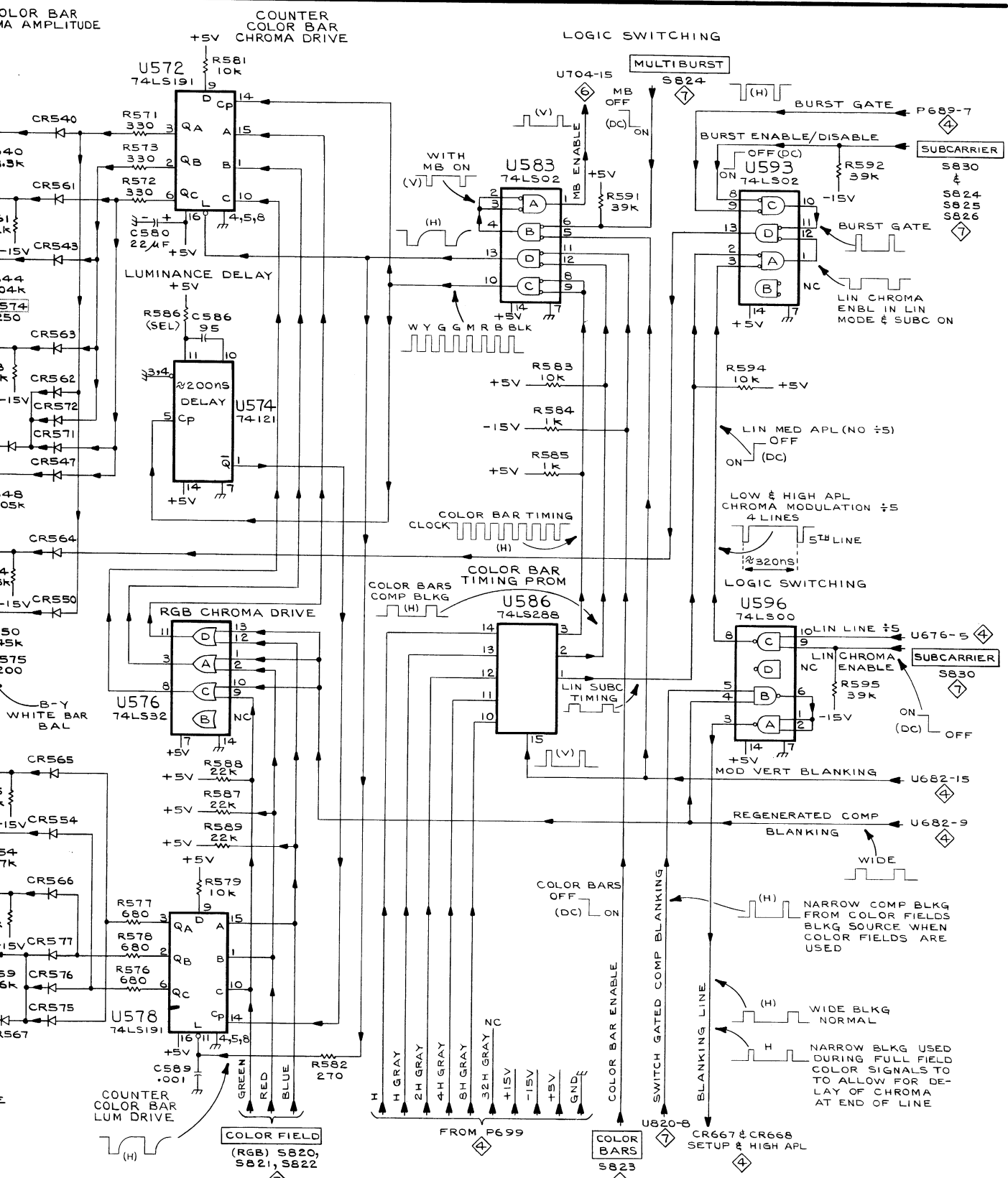
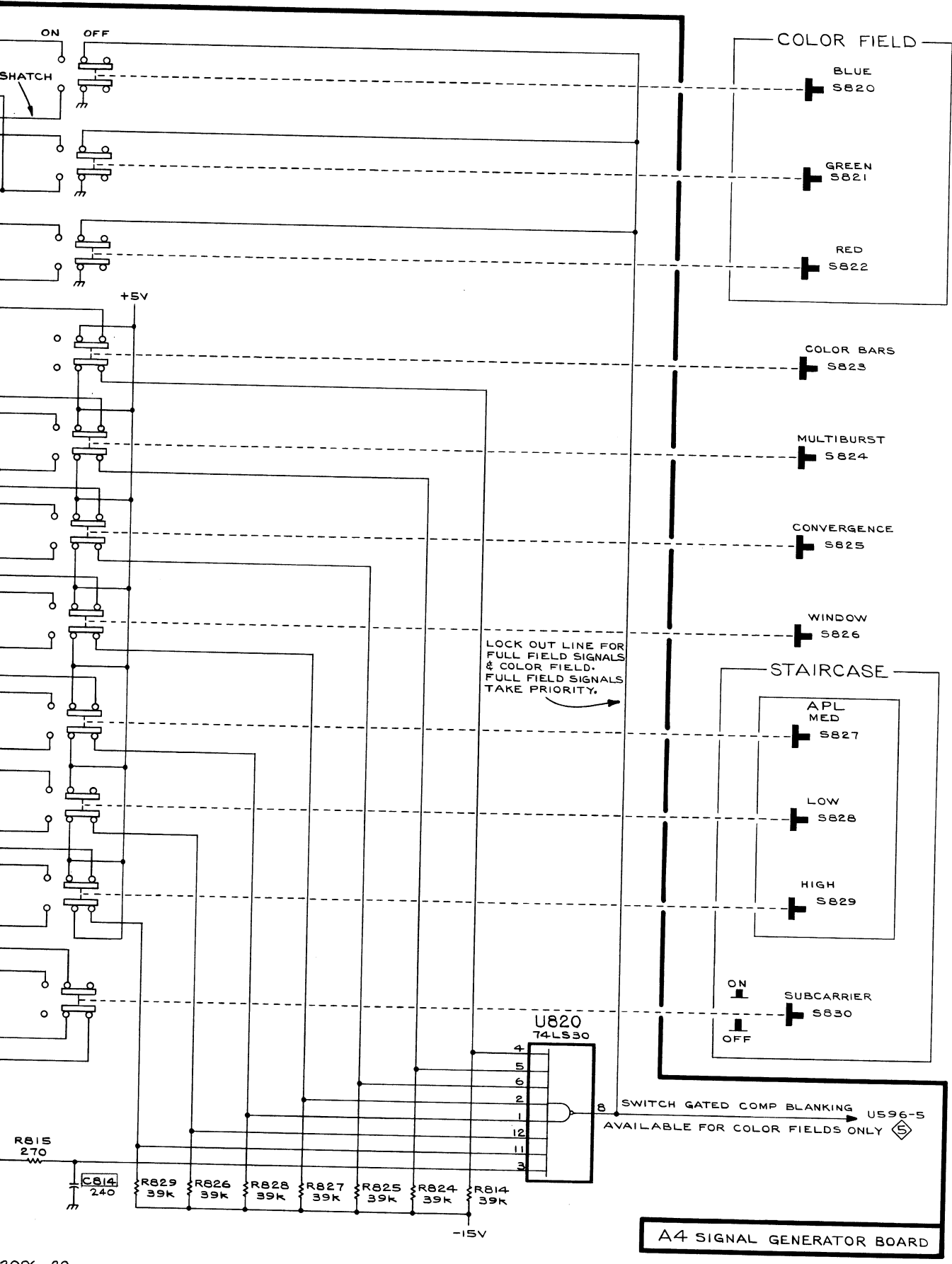


MC1496
INTERNAL DIAGRAM





A4 SIGNAL GENERATOR BOARD



COLOR FIELD

- BLUE S820
- GREEN S821
- RED S822

COLOR BARS S823

MULTIBURST S824

CONVERGENCE S825

WINDOW S826

STAIRCASE

- APL MED S827
- LOW S828
- HIGH S829

ON
SUBCARRIER S830
OFF

LOCK OUT LINE FOR FULL FIELD SIGNALS & COLOR FIELD. FULL FIELD SIGNALS TAKE PRIORITY.

8 SWITCH GATED COMP BLANKING U596-5 AVAILABLE FOR COLOR FIELDS ONLY

A4 SIGNAL GENERATOR BOARD

2096-29
MARCH 1977

SIGNAL SWITCHING 7 7-1-76